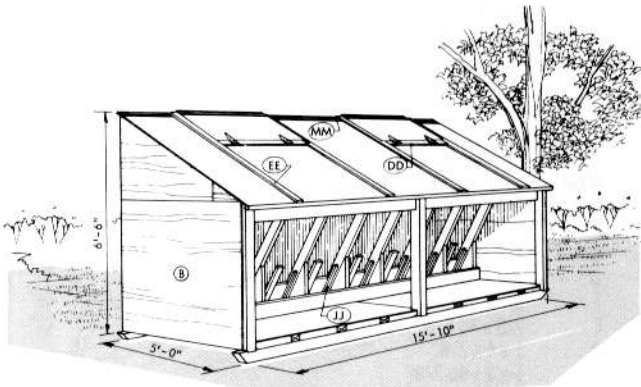
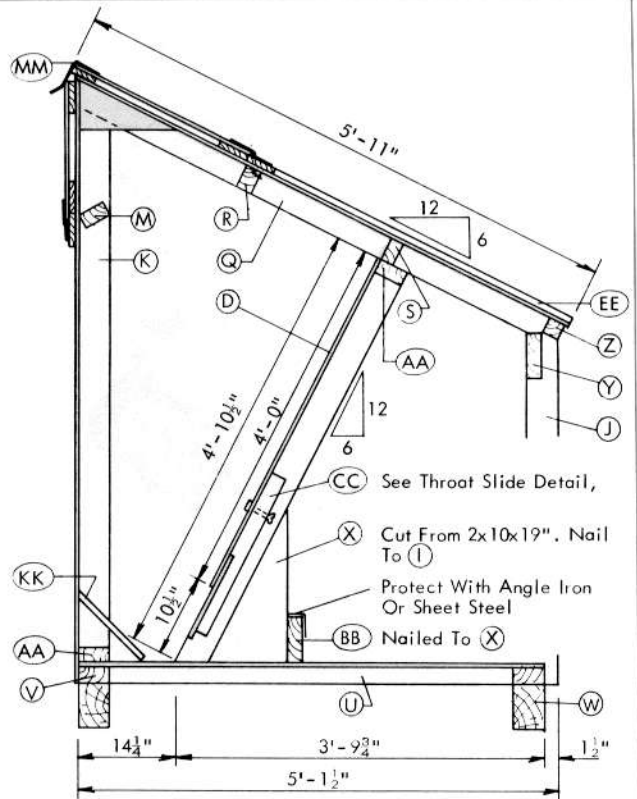


WALK-IN SELF-FEEDER

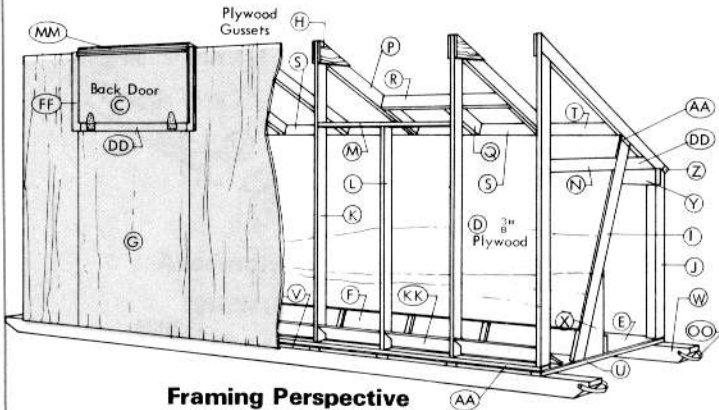


Plan "A", 150 Bu-64 Pigs

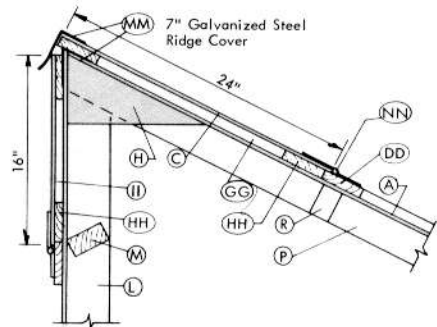
Locate Next To Drive For Easy Filling



Section



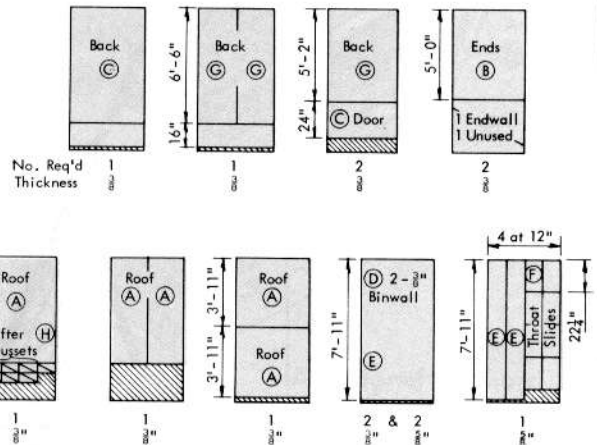
Framing Perspective



Door Detail

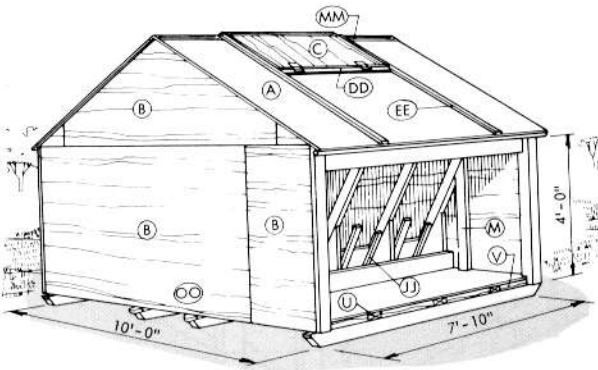
CUTTING LIST

ITEM	NO.	DESCRIPTION			
A-H		See Cutting Diagram	Y	1	2x6 x 15'-10"
I	9	2x4 x 4'-8-7/8"	Z	1	2x2 x 15'-10"
J	3	4x4 x 3'-9-3/4"	AA	2	2x4 x 15'-10"
K	7	2x4 x 6'-0"	BB	1	2x6 x 15'-10"
L	2	2x4 x 4'-11"	CC	7	2x4 x 23"
M	2	2x4 x 3'-10-3/8"	DD	4	1x3 x 3'-9"
N	2	2x4 x 3'-0"	EE	4	1x3 x 5'-11"
O	2	2x4 x 15"	FF	4	1x3 x 17-1/2"
P	7	2x3 x 5'-7-1/2"	GG	4	1x3 x 23"
Q	6	2x3 x 3'-6-1/2"	HH	8	1x3 x 3'-3"
R	2	2x3 x 3'-10-3/8"	II	4	1x3 x 10-3/4"
S	6	2x3 x 21"	JJ	16	1x2 x 15"
T	2	2x3 x 19-1/2"	KK	1	1x12 x 15'-10"
U	9	2x4 x 5'-0"	MM	18 ft	7" galv. flashing
V	16	2x4 x 20-3/4"	NN	8	3" butt hinge
W	2	4x6 x 18'-0"	OO	2	1/4" x 2" x 20" strap
X	9	2x10 x 19"			



Cutting Diagram Exterior Plywood (4' x 8' Sheets)

Plan "B", 150 Bu-64 Pigs

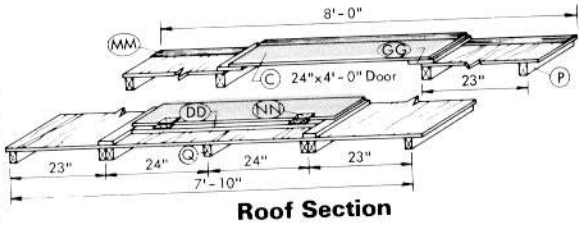


Locate In Center Of A Lot, Or In Fenceline To Serve Two Lots

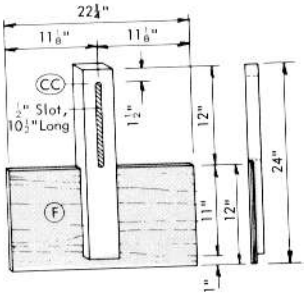
ITEM	NO.	DESCRIPTION
A-H		See Plywood Cutting Diagram
I	10	2x4 x 4'-8-7/8"
J	4	4x4 x 3'-9-3/4"
K	2	2x4 x 3'-8-3/8"
L	2	2x4 x 25"
M	4	2x4 x 33"
N	4	2x4 x 15" inside batten
O	4	2x4 x 6'-1"
P	9	2x3 x 5'-7"
Q	3	2x3 x 3'-6-1/2"
R	1	2x3 x 4'-0"
S	1	2x4 x 7'-10"
T	4	2x3 x 21-1/2"
U	4	2x3 x 19-1/4"
V	5	2x4 x 10'-0"
W	8	2x4 x 20-3/4"
X	10	2x10 x 19"

ITEM	NO.	DESCRIPTION
Y	2	2x6 x 7'-10"
Z	2	2x2 x 7'-10"
AA	2	2x4 x 7'-10"
BB	2	2x6 x 7'-10"
CC	8	2x4 x 23"
DD	1	1x3 x 3'-9"
EE	2	1x3 x 5'-11"
FF		See Cutting Diagram
GG	2	1x3 x 23"
HH	2	1x3 x 3'-3"
JJ	16	1x2 x 15"
KK	2	1x12 x 7'-10"
LL	1	1/2" x 7'-0" rod
MM	10 ft	5" galv. flashing
NN	2	3" butt hinge
OO	2	1/4" x 2" x 20" strap

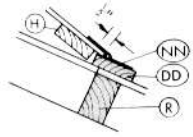
Glue All Plywood Joints



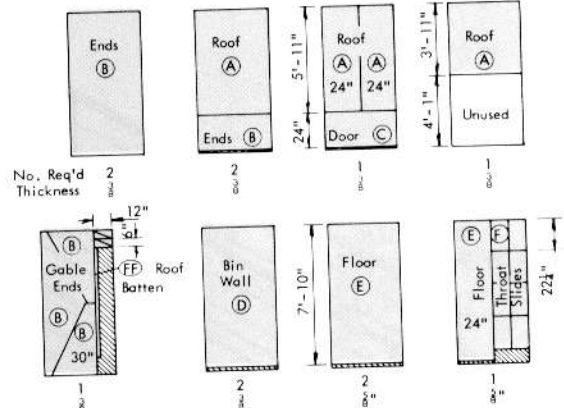
Roof Section



Throat Slide Detail

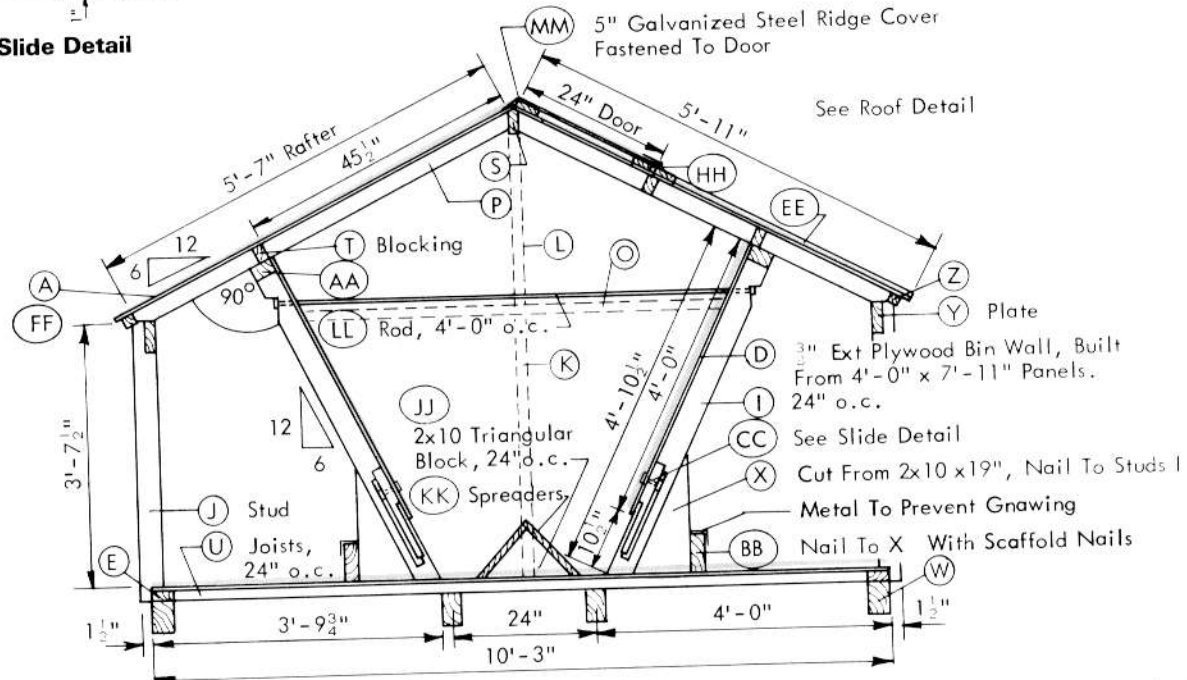


Roof Door Detail



Cutting Diagrams

Exterior Plywood (4' x 8' Sheets)



5" Galvanized Steel Ridge Cover Fastened To Door

See Roof Detail

3" Ext Plywood Bin Wall, Built From 4'-0" x 7'-11" Panels. 24" o.c.

See Slide Detail

Cut From 2x10 x 19", Nail To Studs

Metal To Prevent Gnawing

Nail To X With Scaffold Nails