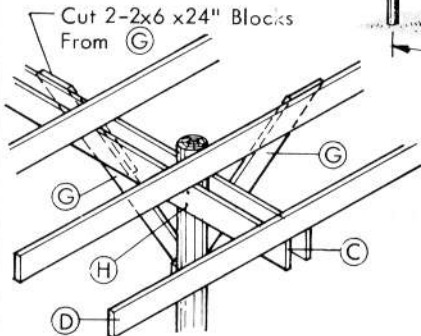
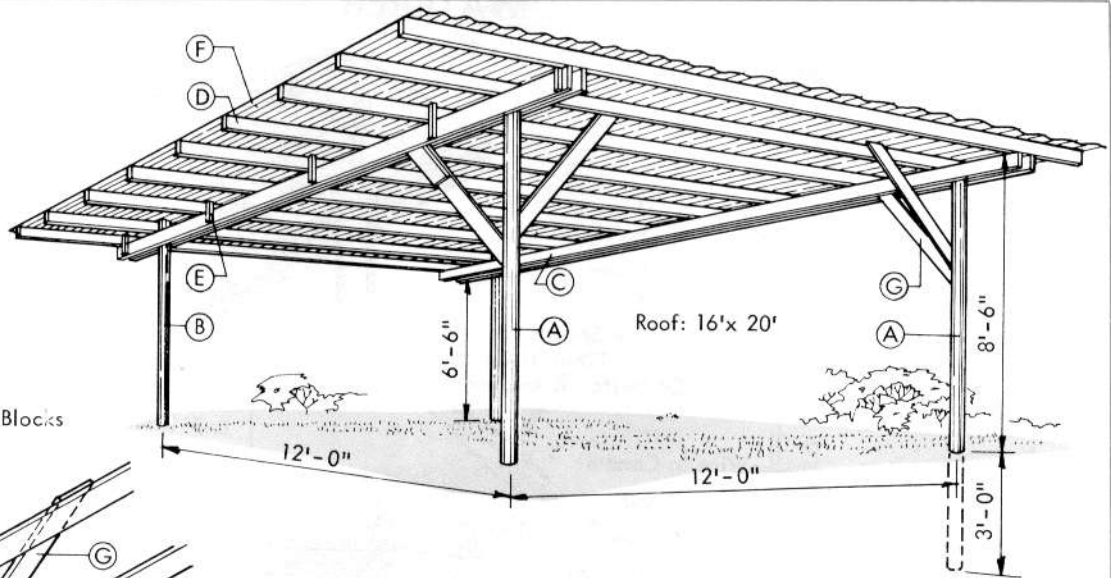


SUN SHADES

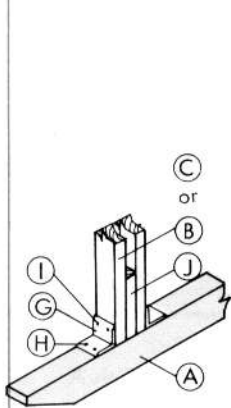


Corner

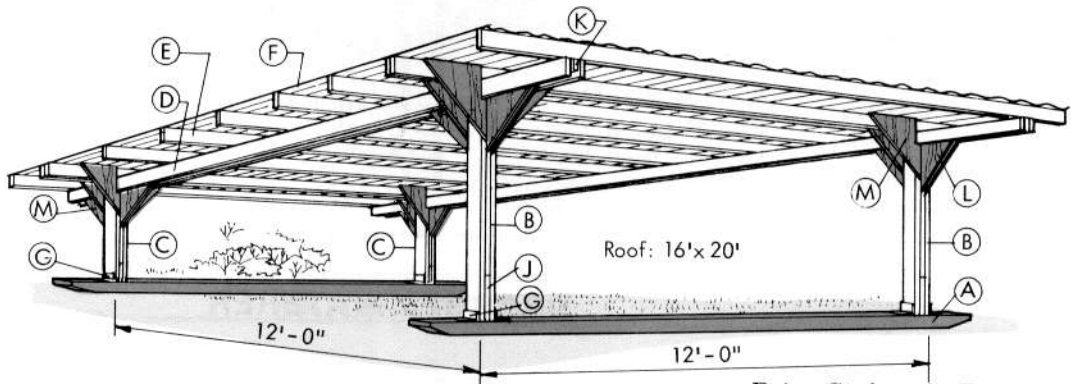
Shade Space Requirements

- 15-20 sq ft per sow
- 20-40 sq ft per sow and litter
- 4 sq ft per head to 100 lbs
- 6 sq ft per head over 100 lbs

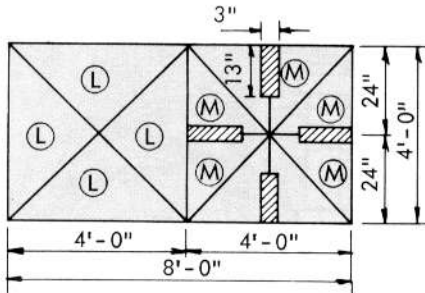
ITEM NO.	DESCRIPTION	
A	2 4" top x 12'-0" poles	pressure-treated
B	2 4" top x 10'-0" poles	
C	4 2x6 x 16'-0"	
D	9 2x6 x 20'-0"	
E	10 2x2 x 12"	
F	10 16'-0" x 26" corr. metal	
G	5 2x6 x 4'-0"	
H	8 1/2" x 9" bolts	



Skid Detail

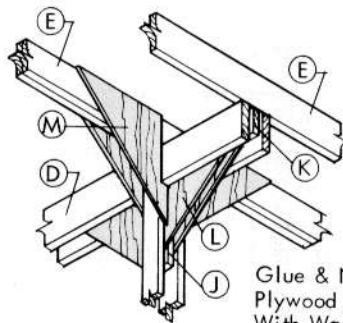


Drive Stakes At Four Corners To Anchor Skids To Ground



Plywood Cutting Diagram

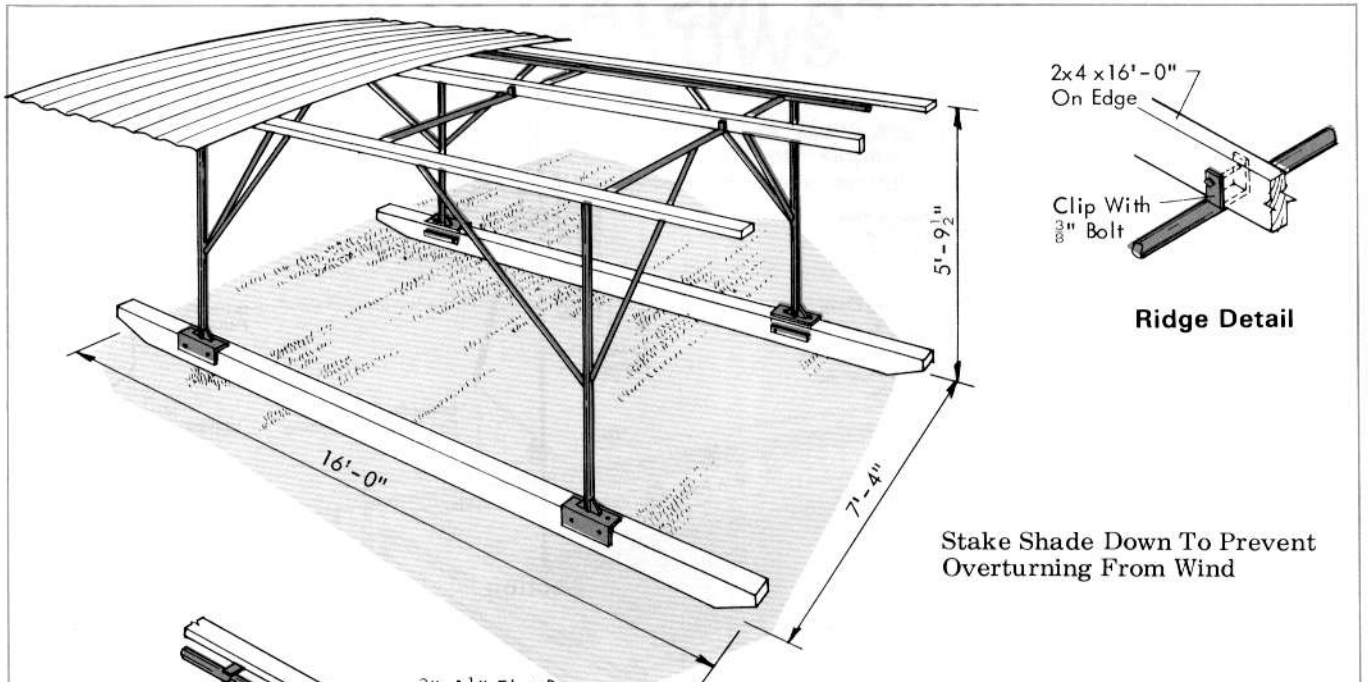
2 Sheets, 3/8" C-C Ext Plywood



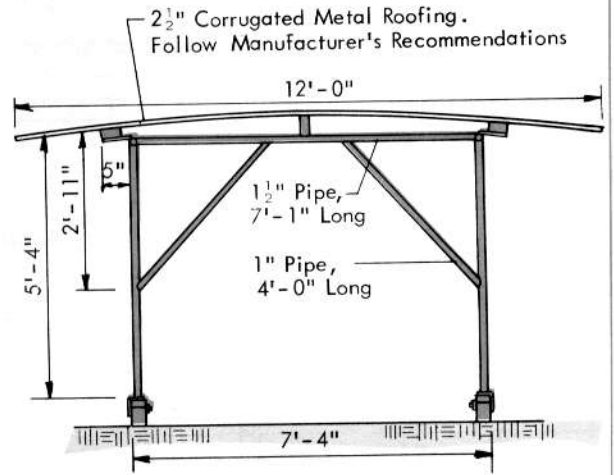
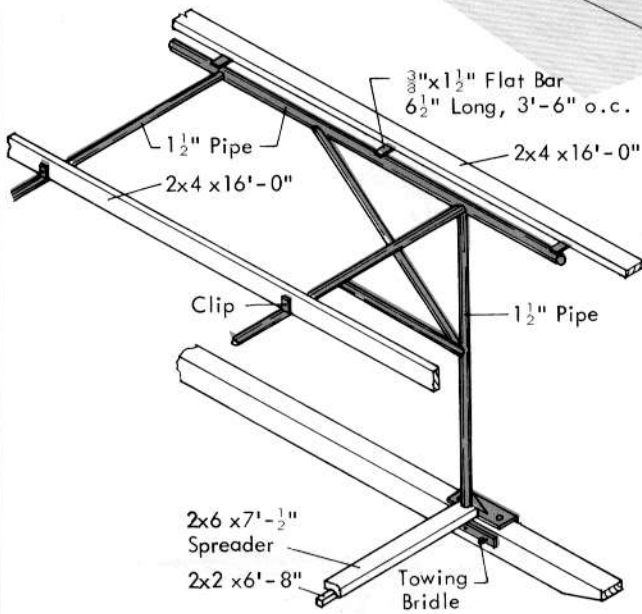
Glue & Nail Plywood Gussets With Waterproof Glue.

Corner Detail

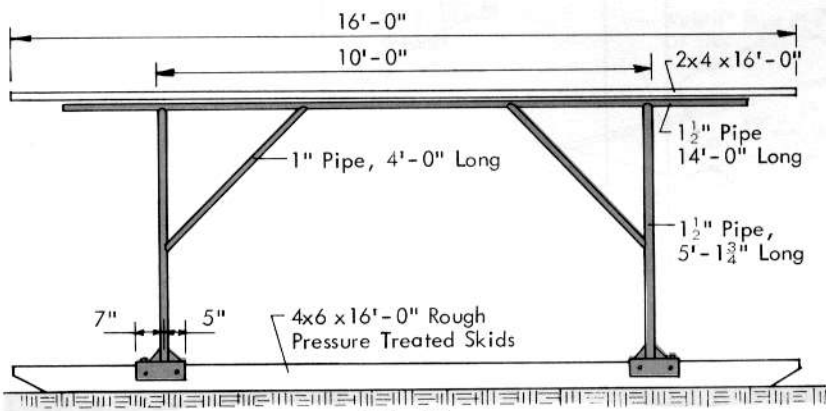
ITEM NO.	DESCRIPTION
A	2 4x6 x 16'-0" pressure treated
B	4 2x4 x 6'-0"
C	4 2x4 x 4'-0"
D	4 2x8 x 16'-0"
E	11 2x6 x 20'-0"
F	10 16'-0" x 26" corr. metal
G	8 3" x 3" x 1/3" x 3-1/2" angles
H	16 3/8" x 3" lag screws
I	8 1/2" x 9" bolts
J	8 2x4 x 12"
K	4 2x6 x 4'-0"



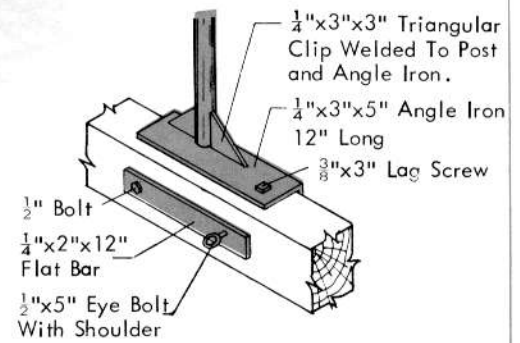
Stake Shade Down To Prevent
Overturning From Wind



End View



Side View



Skid Connection