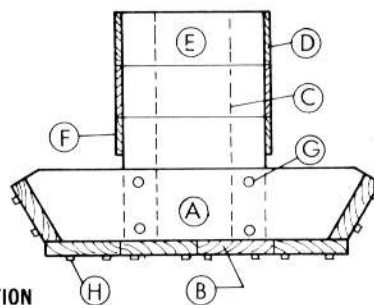
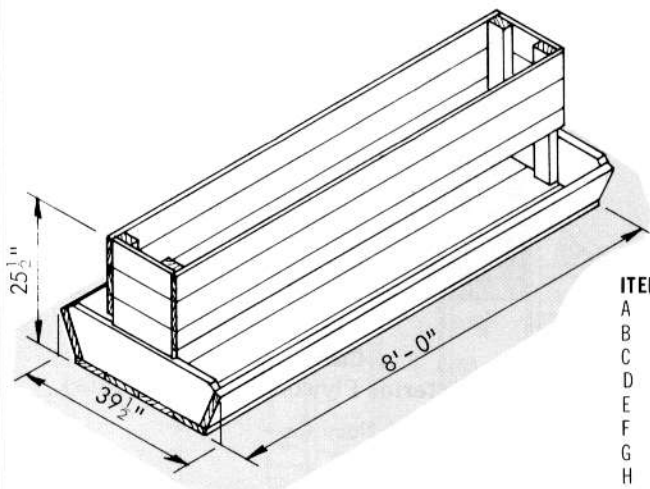
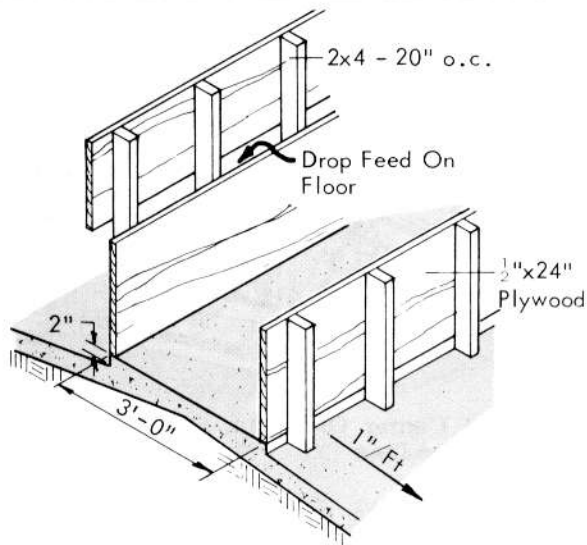
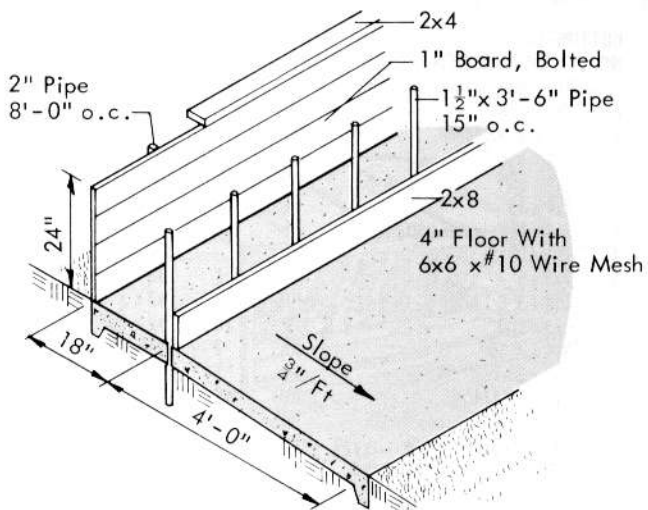
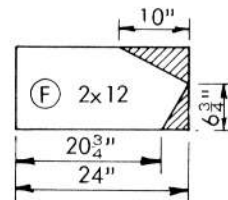
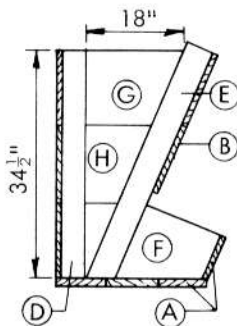
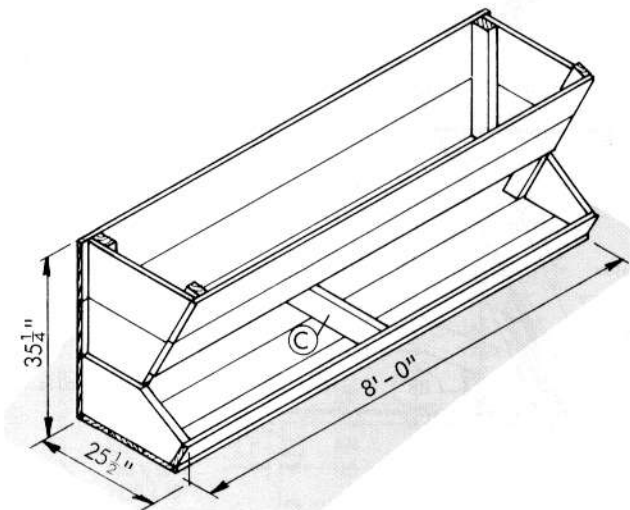


FENCELINE FEEDERS



ITEM	NO.	DESCRIPTION
A	2	2x8 x 3'-0"
B	6	2x8 x 8'-0"
C	4	2x4 x 24"
D	4	1x6 x 8'-0"
E	6	1x6 x 15"
F	2	1x4 x 8'-0"
G	8	1/2" x 4" bolts
H	24	3/8" x 3" lag screws

All Lumber Pressure-Treated



ITEM	NO.	DESCRIPTION
A	4	1x8 x 8'-0"
B	5	1x12 x 7'-10"
C	1	2x6 x 24"
D	2	2x4 x 34 1/2"
E	2	2x4 x 3'-3"
F	2	2x12 x 24"
G	2	1x12 x 22 1/2"
H	2	1x12 x 17 1/2"